

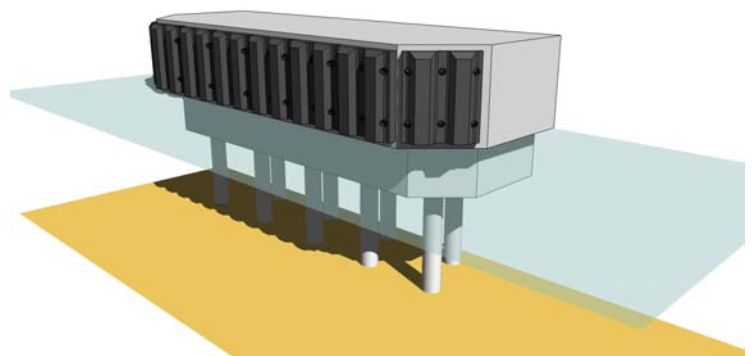
## FW fender

**FW fender is a flexible fender systems with a need of small standoff between quay and hull.**

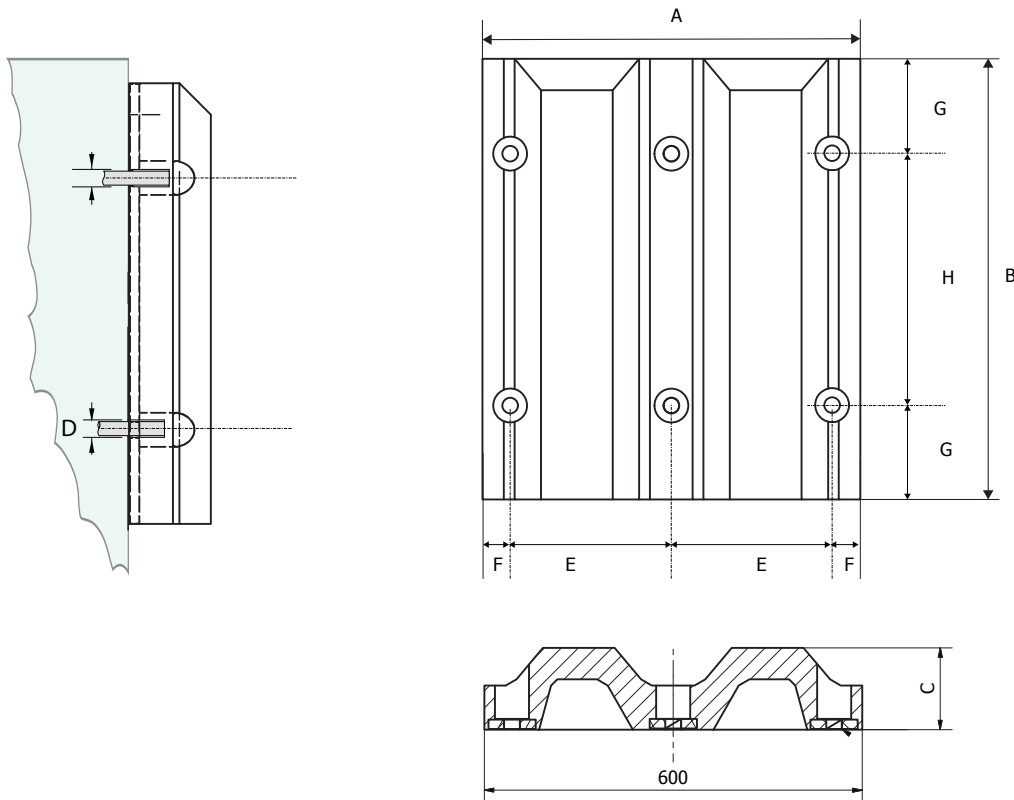
FW also can be combined with our MKP plate and profile fenders.

The advantage with FW plate is that it improves the possibilities to get a better grip by frontal berthing due to its wave pattern.

The FW fender has steel plates vulcanized into the rubber, making the FW fender robust with a minimal number of anchor points needed.



# FW Fenders



FW fender										Energy absorption	Reaction force
A	B	C	øD	E	F	G	H	Bolt	Weight	kNm/m	kN/m
600	700	130	25	256	44	150	400	M20	50	16,8	248,6
600	1000	130	25	256	44	150	2x350	M20	74	16,8	248,6

Units (mm, kg)

Values stated by 50 % deflection

