

SAN-PE Arch Fenders

The hugely popular SAN-PE arch fender has a better energy/reaction force ratio and is recommended for all types of applications.

The SAN-PE arch fender has been equipped with an additional embedded steel plate. This allows the installation of a low friction PE-rubbing plate, a steel fender panel or the mounting of the fender unit behind a pile construction.

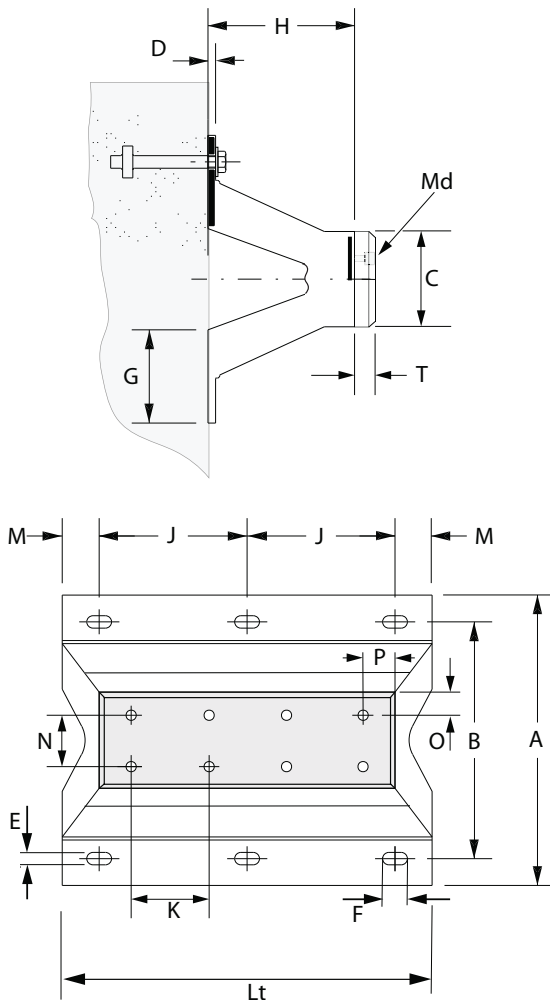
The SAN-PE arch fenders are particularly useful for vessels with high allowable hull pressures and for locations where mounting space is limited.

Key performance characteristics include:

- ▶ Good energy absorption and low reaction force.
- ▶ With shockproof plates at the front, it may reduce surface pressure.
- ▶ Pro-longed life and easy replacement.
- ▶ Excellent shear resistance.



SAN-PE Arch Fenders

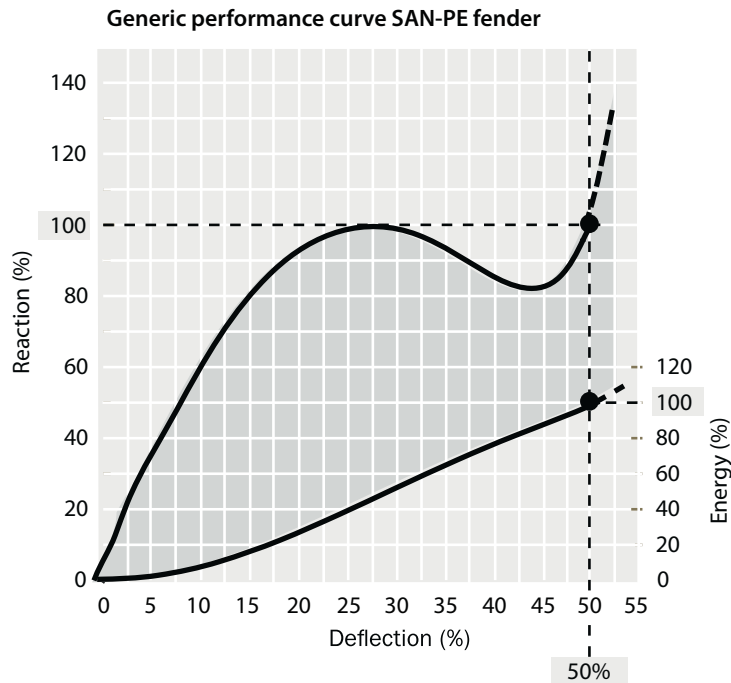


Type	Bolt Hole Pitch						
Arch	metrics in mm and units						
	L	1000	1500	2000	2500	3000	3500
H200	Lt	1100	1600	2100	2600	3100	3600
	J	860	680	620	785	715	672
	M	120	120	120	122,5	120	120
	Anchor	4	6	8	8	10	12
	Size	M24	M24	M24	M24	M24	M24
H300	Lt	1150	1650	2150	2650	3150	3650
	J	870	685	625	790	715	674
	M	140	140	137,5	140	145	140
	Anchor	4	6	8	8	10	12
	Size	M30	M30	M30	M30	M30	M30
H400	Lt	1200	1700	2200	2700	3200	3700
	J	900	700	635	800	725	680
	M	150	150	147,5	150	150	150
	Anchor	4	6	8	8	10	12
	Size	M36					
H500	Lt	1250	1750	2250	2750	3250	3750
	J	930	715	645	810	730	686
	M	160	160	157,5	160	165	160
	Anchor	4	6	8	8	10	12
	Size	M42	M42	M42	M42	M42	M42
H600	Lt	1300	1800	2300	2800	3300	3800
	J	960	730	655	820	740	692
	M	170	170	167,5	170	170	170
	Anchor	4	6	8	8	10	12
	Size	M48	M48	M48	M48	M48	M48
H800	Lt	1400	1900	2400	2900	3400	
	J	1040	770	680	845	760	
	M	180	180	180	182,5	180	
	Anchor	4	6	8	8	10	
	Size	M60	M60	M60	M60	M60	
H1000	Lt	1500	2000	2500			
	J	900	700	630			
	M	200	200	200			
	Anchor	4	6	8			
	Size	M64	M64	M64			

Type	A	B	C	D	E	F	G	H	K*	N	O	P*	T	Md
	mm	mm	mm	mm	mm	mm	mm	mm	mm	mm	mm	mm	mm	size
H200	400	320	130	35	29	58	128	200	300-400	0	66	60	35	M16
H300	600	490	225	33	35	70	195	300	300-400	105	60	65-85	40	M16
H400	800	670	300	40	41	82	260	400	300-400	108	60	65-85	50	M16
H500	1000	840	375	45	47	94	325	500	300-400	245	65	65-85	55	M16
H600	1200	1010	450	54	50	100	390	600	300-400	310	70	65-85	55	M16
H800	1600	1340	600	72	63	136	520	800	300-400	440	80	65-85	60	M16
H1000	2000	1680	750	90	68	136	650	1000	300-400	570	90	65-85	70	M16

* These specified dimensions are when fitting the UHMW PE front plate, so
if a steel panel be installed the P metric will be changed to 125 mm and K to 250-300 mm.

SAN-PE Arch Fenders



Specification Height x Length	Compound A		Compound B		Compound C		Compound D		Tolerance
	Energy absorption (kNm)	Reaction force (kN)	Energy absorption (kNm)	Reaction force (kN)	Energy absorption (kNm)	Reaction force (kN)	Energy absorption (kNm)	Reaction force (kN)	
SAN-PE 200	13	241	11	208	8	157	6	103	±10%
SAN-PE 300	35	326	27	242	21	200	16	158	
SAN-PE 400	64	413	49	316	41	261	31	229	
SAN-PE 500	102	511	78	401	64	354	54	269	
SAN-PE 600	133	613	108	462	83	386	71	299	
SAN-PE 800	265	831	200	621	150	510	126	456	
SAN-PE 1000	417	1015	312	788	262	659	221	539	

The above values are per metre fender system and by 50 % deflection.