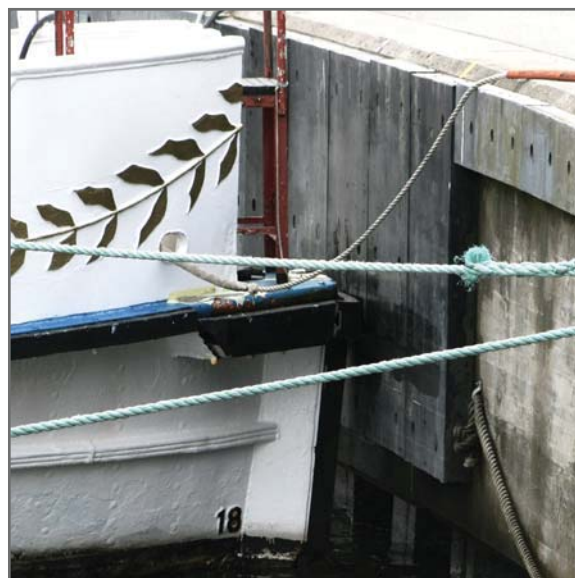
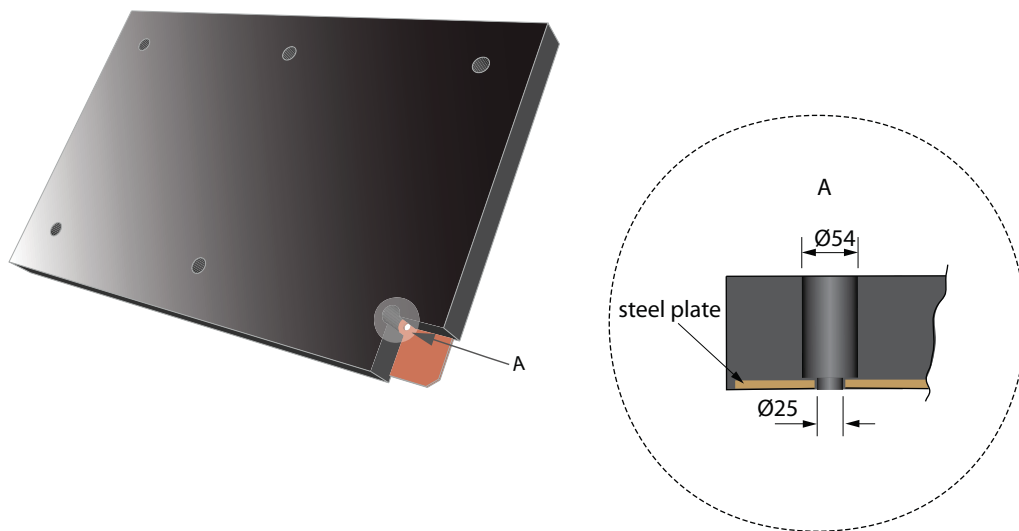


MKP Plate

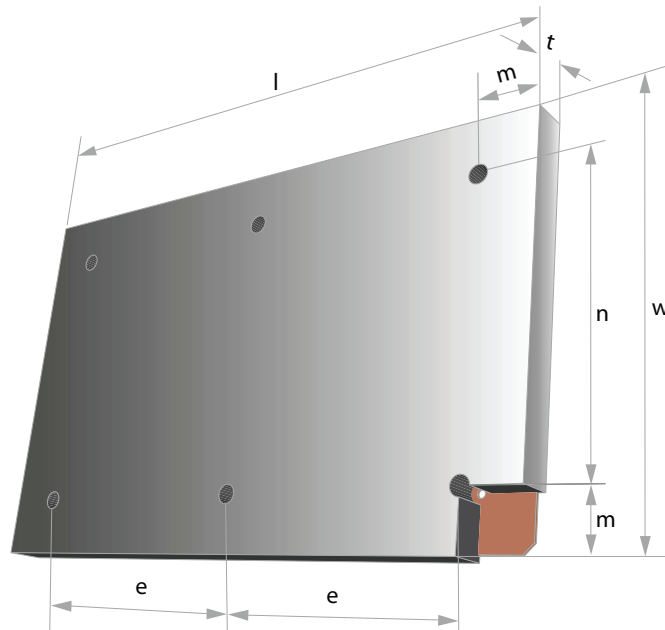
Marine protection plates (MKP plate) is a flexible rubber bumper designed for quays where small vessels berthing.

The MKP plate protects both the quayside front and ships from wear and tear. MKP plate is ideal for ports where the distance between the ship and the quay must be minimized.

MKP plate has a steel plate vulcanized into the rubber, making a minimal number of anchor points is necessary. MKP protection plate is ideal to combine with profile fender to optimize as quay protection.



MKP Plate



Type	t	w	l	m	n	e	Anchor	Weight
MKP	50	500	1000	100	300	800	4 × M20	45
		600		150	450	700		54
		750						67
MKP	50	500	1500	100	300	650	6 × M20	67
		600		150	300	600		80
		750		100	450	600		100
MKP	75	500	1000	100	300	800	4 × M20	59
		600		150	450	700		71
		750						88
MKP	75	500	1500	100	300	650	6 × M20	88
		600		150	300	600		106
		750		100	450	600		132
MKP	100	500	1000	100	300	800	4 × M20	73
		600		150	450	700		88
		750						109
MKP	100	500	1500	100	300	650	6 × M20	109
		600		150	300	600		131
		750		100	450	600		164
MKP	125	500	1000	100	300	800	4 × M20	87
		600		150	450	700		104
		750						130
MKP	125	500	1500	100	300	650	6 × M20	130
		600		150	300	600		156
		750		100	450	600		195
MKP	150	500	1000	100	300	800	4 × M20	100
		600		150	450	700		121
		750						151
MKP	150	500	1500	100	300	650	6 × M20	151
		600		150	300	600		181
		750		100	450	600		227

Custom-made corner elements and other dimensions available on request.

(Units: mm, kg)

MKP Plate

Material specification MKP plate

Material specification tear rubber / Materialspecifikation slitgummi			
Material: PsG T 160	Unit	Specification	Test method
Property/Egenskaper:	/Enhet	/krav	Test metod
Hardness / Hårdhet	IRHD	55-66	ISO 48
Tensile strength / Brottgräns	MPa	min. 17,5	ISO 37
Elongation at break / Brottöjning	%	min. 450	ISO 37
Tear resistance / Rivhållfasthet	kN/m	min. 30	ISO 34 C
Density / Densitet	Mg/m ³	1,10 - 1,16	ISO 2781
Ageing 7 days at 70 C° / Åldring 7 dygn vid 70 C°			ISO 188
Change hardness / Hårdhets ändring	IRHD	max. +8	ISO 48
Change tensile strength / Ändring brottgräns	%	max. -25	ISO 37
Change elongation at break / Ändring brottöjning	%	max. -40	ISO 37
Special properties / Särskilda egenskaper:			
Abrasion / Avnötning	mm ³	max. 160	ISO 4649

Results and limits / specifications can only be applied to test specimens made from virgin material by the producer and produced according to standards set by the producer.