

Keyhole Fenders

Keyhole fenders are ideal for installation on tugs and barges. The fenders are mostly supplied at customer's length measurement and installed vertical mounted by fixing pins.

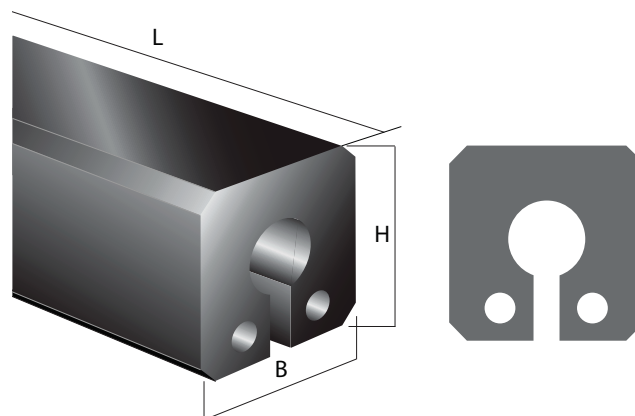
The fenders are used where extremely heavy loads are expected.

Their 'keyhole' cross-section is very tough, but can be curved around the hull of tugs and barges if necessary.

Application:

- ▶ Tugs
- ▶ Barges

Different dimensions can be produced to customer's specifications.



Basis B in mm	Height H in mm	Maximum length in meters	Weight appr. In kg/m
150	150	6	17
200	200	6	25
250	250	6	56
300	300	6	78