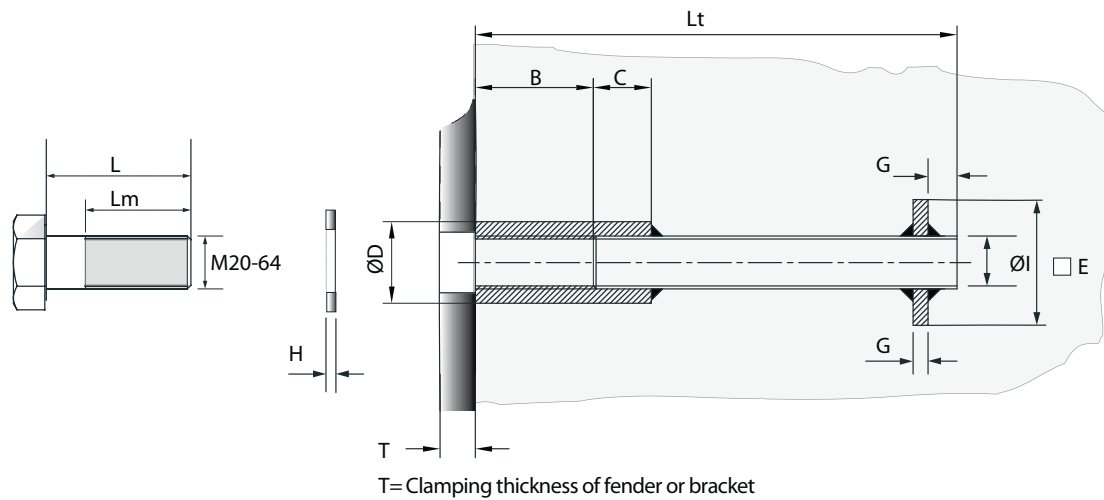


Cast in Anchors



Cast-in anchors for new concrete



Anchor size		M20	M22	M24	M27	M30	M36	M42	M48	M56	M64	M76
Lt	mm	200	225	250	265	270	320	360	400	550	600	700
B	mm	40	44	48	54	60	72	84	96	112	128	152
C	mm	20	22	25	30	35	40	50	60	70	80	90
ØD	mm	30	32	36	40	45	54	63	72	84	100	114
□E	mm	63	63	75	75	100	100	100	100	120	130	150
G	mm	10	10	10	10	10	12	12	15	15	20	20
ØI	mm	20	22	24	27	30	36	42	48	56	64	76
Weight	kg	1	1,3	1,9	2,4	3,6	5,4	8,2	11,2	19,6	30	46

Standard anchors are available with stainless steel threaded socket and rest in grade 8.8 untreated
 Non-standard grade and sizes are available on request.

Cast in Ancors