

# PsG Cell Fenders

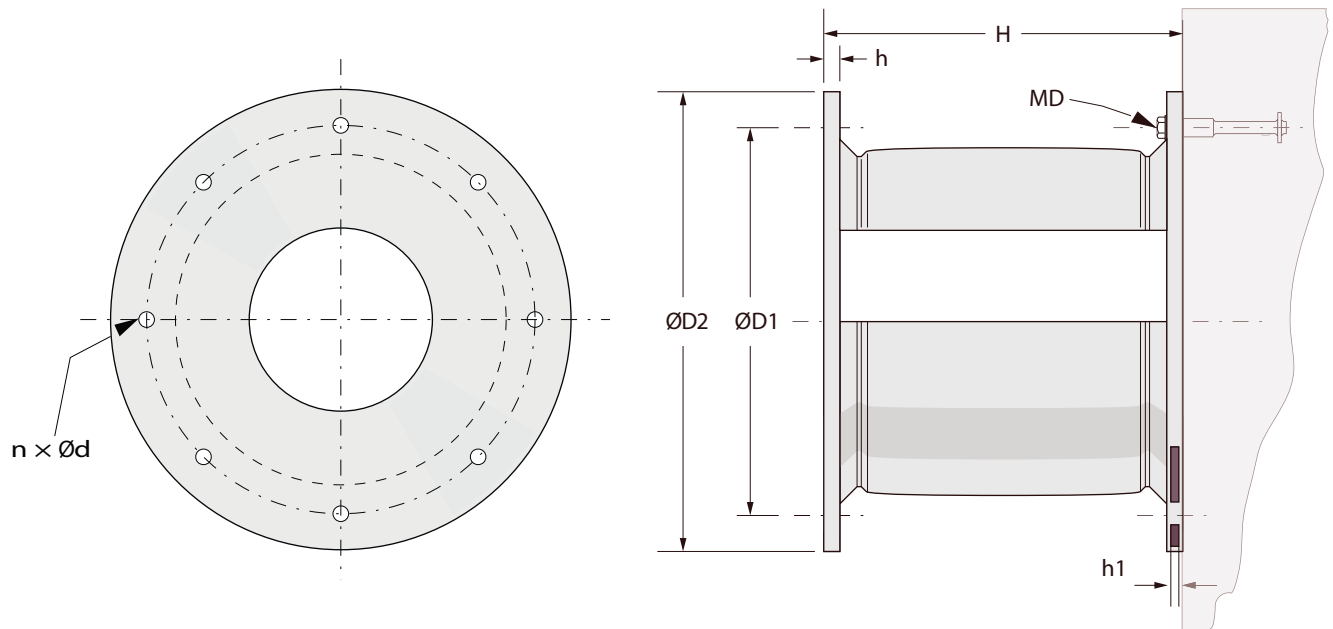
PsG series Cell Fender are a very reliable and proven fender type. Developed over 30 years ago, these fender types are still widely used around the world.

Key performance characteristics include:

- ▶ Good energy absorption to reaction force ratio (E/R)
- ▶ Simple and easy installation
- ▶ Ideal for low hull pressure requirements
- ▶ Large weight supporting capability
- ▶ Sturdy and dependable construction



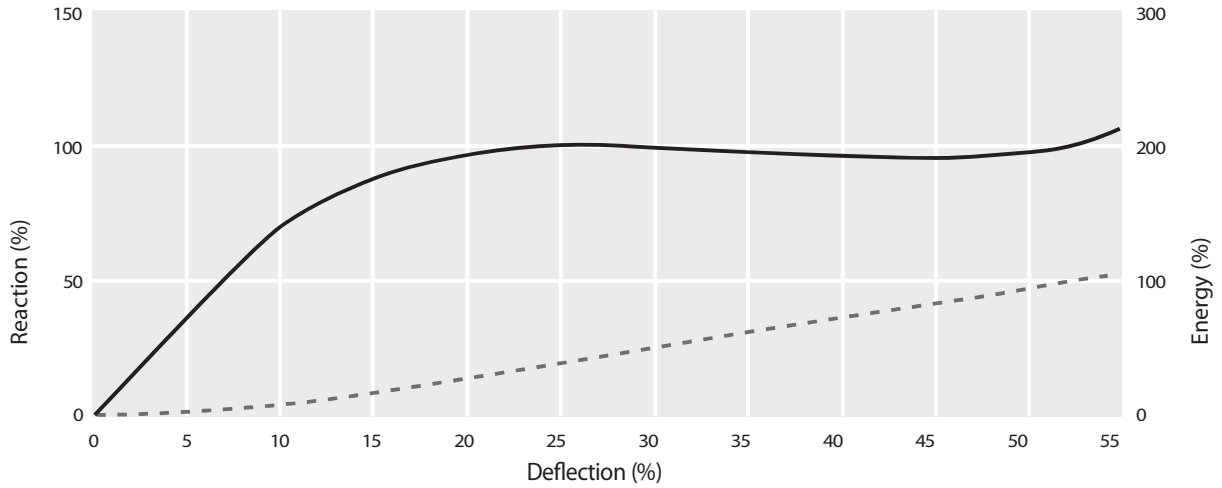
# PsG Cell Fenders



Specification	Values stated in mm and kg							
Type	H	h	Ø D1	Ø D2	n x Ø d	MD	h 1	weight
CELL 400H	400	25	550	650	4xØ30	22	10	76
CELL 500H	500	25	550	650	4xØ32	24	12	98
CELL 630H	630	25	700	840	4xØ39	30	14	225
CELL 800H	800	30	900	1050	6xØ40	30	14	410
CELL 1000H	1000	35	1100	1300	6xØ47	36	18	820
CELL 1150H	1150	37	1300	1500	6xØ50	42	22	1180
CELL 1250H	1250	40	1450	1650	6xØ53	42	22	1600
CELL 1450H	1450	42	1650	1850	6xØ61	48	26	2320
CELL 1600H	1600	50	1800	2000	8xØ61	48	28	3020
CELL 1700H	1700	50	1900	2100	8xØ66	56	30	3730
CELL 2000H	2000	50	2000	2200	8xØ74	64	32	5200
CELL 2250H	2250	57	2300	2550	10xØ74	64	36	7500
CELL 2500H	2500	70	2700	2950	10xØ74	64	38	10850
CELL 3000H	3000	75	3150	3350	12xØ90	76	40	18650

# PsG Cell Fenders

Generic performance curve cell fender.



Rubber	Compound A				Compound B				Compound C				Compound D				Compound E			
	52.5%		55%		52.5%		55%		52.5%		55%		52.5%		55%		52.5%		55%	
Type /	E	R	E	R	E	R	E	R	E	R	E	R	E	R	E	R	E	R	E	R
Values	kNm	kN	kNm	kN	kNm	kN	kNm	kN	kNm	kN	kNm	kN	kNm	kN	kNm	kN	kNm	kN	kNm	kN
CELL 400H	19	110	21	125	17	96	18	112	14	83	15	97	11	64	12	75	9	51	9,5	59
CELL 500H	40	182	43	210	36	162	38	187	30	140	32	160	23	108	25	125	18	86	19	99
CELL 630H	80	290	85	309	72	258	76	274	62	224	67	237	47	172	50	182	38	138	40	147
CELL 800H	163	464	173	493	145	412	153	437	125	355	132	378	96	275	102	292	75	211	78	225
CELL 1000H	324	737	343	784	287	655	304	696	249	567	264	603	191	436	203	463	153	349	163	372
CELL 1150H	492	975	521	1037	437	865	463	920	379	750	401	798	291	578	309	614	233	462	247	491
CELL 1250H	632	1153	669	1225	561	1022	594	1087	486	886	516	942	374	682	396	725	299	546	316	581
CELL 1450H	987	1551	1045	1649	876	1376	928	1464	760	1193	804	1269	585	918	619	976	468	735	495	781
CELL 1600H	1326	1888	1405	2007	1177	1676	1247	1781	1020	1453	1080	1544	786	1117	832	1189	628	894	665	950
CELL 1700H	1591	2131	1685	2266	1413	1892	1495	2012	1224	1640	1300	1743	941	1262	997	1342	753	1009	798	1073
CELL 2000H	2591	2941	2743	3136	2300	2619	2435	2783	1994	2270	2111	2413	1534	1746	1624	1856	1227	1398	1299	1485
CELL 2250H	4095	4145	4337	4406	3628	3679	3848	3911	3150	3188	3336	3390	2424	2454	2566	2607	2060	2085	2180	2216
CELL 2500H	5618	5118	5949	5441	4987	4543	5280	4829	4322	3937	4576	4182	3325	3028	3520	3220	2826	2574	2992	2737
CELL 3000H									7456	5687	7521	6619	5676	4314	6028	5099	4897	3677	5193	4217

Note: R = Reaction Force E= Energy Absorption Performance Tolerance ±10%  
 Rated compression deflection 52.5% and maximum compression deflection 55%.  
 Fenders in different energy absorption and reaction force are available upon request.



PsG Cell Fenders