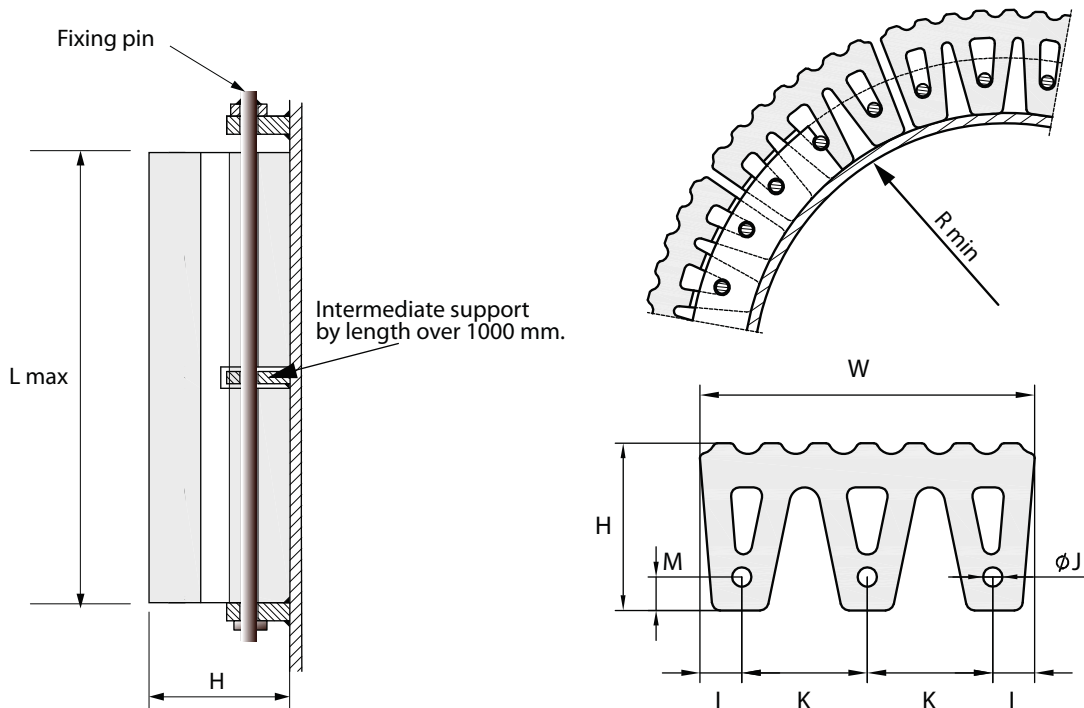


M Fenders

“M” Type fenders can be fit easily to either the bow or stern of the vessel. This fender type is used mainly in operations involving pushing of larger vessels.

The grooves provide extra grip and the three legs do give a strong attachment to the tug construction.

Easy to install, they provide a robust alternative to square fenders and are rapidly becoming the ideal fender choice for most tug and small vessel operators.



Dimensions										
W	H	K	M	J Ø	Pin Ø	I	R min	L max length	Weight kg / meter	Flat steel bar
400	200	150	40	23	20	50	600	2000	56	100x15
500	250	190	50	27	24	60	800	2000	89	125x20
600	300	230	60	33	30	70	900	2000	132	150x20
800	400	305	80	44	40	90	1000	2000	235	150x20

units: mm, kg